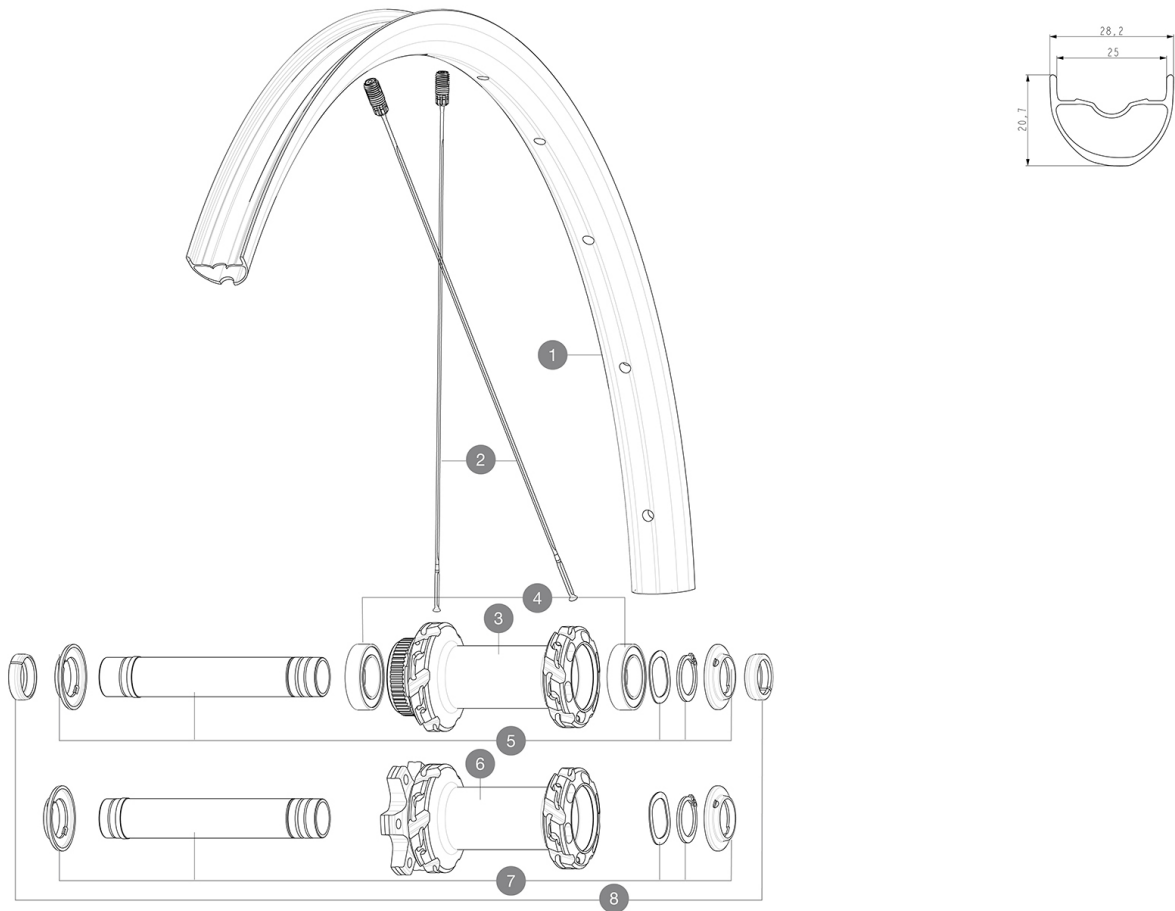


ASTM CATEGORY 3 : CROSS COUNTRY

For a longer longevity of the wheel, Mavic recommends that the total weight supported by the wheels doesn't exceed 120kg, bike included
Recommended tyre sizes: 50mm to 76mm (2.0" to 3.0")

REFERENCES WHEELS

F90452	Crossmax SL 29 Ft Bst*	F91952	Crossmax SL 29 DCL Ft Bst*
--------	------------------------	--------	----------------------------



RIMS



&NBSP;:

1	V3765715	Kit Front/Rear rim Crossmax SL 21 29"
---	----------	---------------------------------------

SPOKES

2	V2388301	Kit 12 Front/Rear Crossmax SL/SLS/XL/XLS 29" butted spoke 2
---	----------	---

HUB SHELLS

3	N/A	HUB BODY
4	V2500901	KIT BEARINGS 18x30x7 + WAVED WASHER + CLIP
5	V2375601	Kit 110mm axle QRM auto MTB from 2019 DCL
6	N/A	HUB BODY
7	V2372401	KIT 110mm AXLE QRM AUTO MTB > 2019
8	V2372501	15mm MTB Axle Cap QRM Auto From 2019

MAVIC Crossmax SL 29

2021
FRONT

DELIVERED WITH

UST valve and accessories (129 838 01)	
Multifonction adjustment wrench (delivered with rear wheel) (325 423 01)	
2 replacement spokes with each wheel	
Fore adjustment wrench	

COMPATIBILITY

Freewheel: Shimano HG9, XD or Micro Spline	
Rear axle: 12x148 Boost thru axle	
Front axle: 15x110 Boost thru axle	

Specifications

RIMS

- **Material** : Mactal
- **Material** : S6000 Aluminum
- **Tire** : UST Tubeless and tubetype
- **Internal width** : 25 mm
- **ETRTO size 29"** : 622x25TSS

Hookless profile

Black Shield treatment (protects your rim against impacts and scratches)

Asymmetrical rim design

Fore

SUP

SPOKES

- **Material** : steel
- **Shape** : straight pull, flat, double butted
- **Nipples** : Fore integrated aluminum
- **Count** : 24 front and rear
- **Lacing** : front and rear crossed 2, contactless

WHEEL HUB

Hub available with 6-bolt or center lock (R) brake rotors

- **Axles** : Front 15X110 Boost ; Rear 12X148 Boost
- Infinity Hub
Instant Drive 360

VERSIONS

- **Disc standard** : 6 Bolts or Center Lock (R)
- **Hub width** : Boost only (front 110, rear 148)
- **Freewheel** : SRAM XD, Shimano HG9, Shimano Micro-Spline

WHEEL WEIGHTS

785